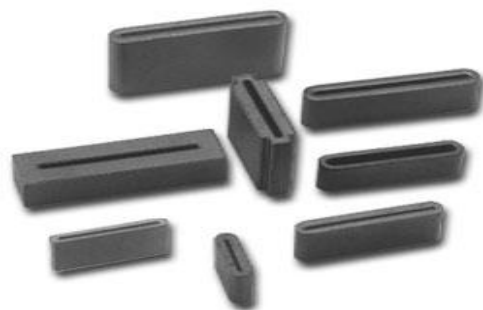


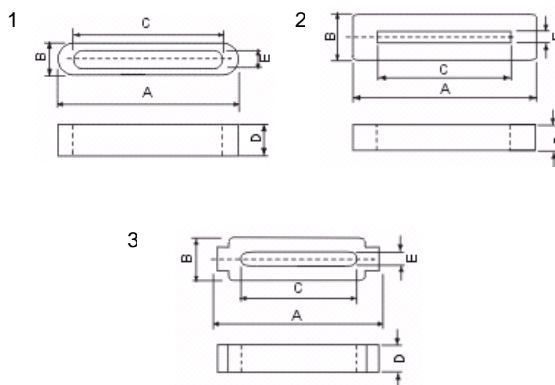
Flat Ferrite Cores – SRP Series



Features

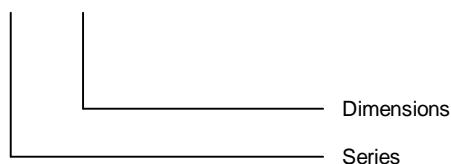
- Slot lengths from 16mm to 60mm. Precision formed smooth surfaces prevent damage to wire insulation
- Applications: Internal floppy disk and harddisk ribbon cables.
Internal ribbon cables between circuit boards and data connectors.
Internal ribbon cables with series digital signal busses

Shapes



Ordering Information

SRP 31.0x5.0x12.0



Characteristics

Shape#3: SRP2877146

Shape#2: SRP22357751905 / SRP23337 / SRP2356310 / SRP287722 / SRP38112254 / SRP45112510 / SRP451125286

Shape#1: all other parts

| Part No. | A | B | C | D | E | Impedance (Ω) min | |
|---------------------|--------------|-----------------|-------------|--------------|----------------|-------------------------------|--------|
| | | | | | | 25MHz | 100MHz |
| SRP16.0x5.0x11.5 | 16.0 ± 0.4 | 5.0 ± 0.3 | 11.5 ± 0.4 | 12.0 ± 0.5 | 0.5 +0.6 -0.1 | 44 | 90 |
| SRP16.0x5.0x11.5 | 16.0 ± 0.4 | 5.0 ± 0.3 | 11.5 ± 0.4 | 15.0 ± 0.6 | 0.5 +0.6 -0.1 | 50 | 110 |
| SRP18.0x5.0x8.0 | 18.0 ± 0.4 | 5.0 ± 0.3 | 14.0 ± 0.4 | 8.0 ± 0.4 | 1.0 ± 0.3 | 24 | 55 |
| SRP20.5x3.5x15.0 | 20.5 ± 0.5 | 3.5 +0.15 -0.25 | 16.5 ± 0.4 | 15.0 ± 0.6 | 0.5 +0.2 -0.15 | 34 | 88 |
| SRP22.35x7.75x19.05 | 22.35 ± 0.51 | 7.75 ± 0.38 | 14.0 ± 0.25 | 19.05 ± 0.64 | 1.5 ± 0.25 | 68 | 120 |
| SRP23.3x3.0x7.0 | 23.3 ± 0.7 | 3.0 ± 0.3 | 20.0 ± 0.5 | 7.0 ± 0.4 | 0.9 ± 0.15 | 20 | 60 |
| SRP23.5x6.3x10.0 | 23.5 ± 0.7 | 6.3 ± 0.5 | 18.4 ± 0.4 | 10.0 ± 0.4 | 1.1 ± 0.3 | 32 | 75 |
| SRP25.0x5.0x12.0 | 25.0 ± 0.7 | 5.0 ± 0.4 | 21.0 ± 0.5 | 12.0 ± 0.5 | 1.1 ± 0.2 | 27 | 75 |
| SRP25.0x3.5x15.0 | 25.0 ± 0.8 | 3.5 +0.15 -0.25 | 24.0 ± 0.4 | 15.0 ± 0.6 | 0.5 +0.2 -0.15 | 30 | 88 |
| SRP28.0x6.5x15.0 | 28.0 ± 0.8 | 6.5 ± 0.5 | 23.0 ± 0.5 | 15.0 ± 0.6 | 1.0 ± 0.3 | 30 | 85 |
| SRP28.5x6.5x18.0 | 28.5 ± 0.8 | 6.5 ± 0.5 | 23.5 ± 0.5 | 18.0 ± 0.7 | 1.0 ± 0.3 | 40 | 95 |
| SRP28.0x7.7x14.6 | 28.0 ± 0.8 | 7.7 ± 0.5 | 23.0 ± 0.5 | 14.6 ± 0.4 | 1.4 ± 0.4 | 38 | 85 |
| SRP28.0x7.7x22.0 | 28.0 ± 0.8 | 7.7 ± 0.5 | 23.0 ± 0.5 | 22.0 ± 0.6 | 1.4 ± 0.4 | 52 | 110 |
| SRP28.6x7.7x25.0 | 28.6 ± 0.85 | 7.7 ± 0.5 | 23.6 ± 0.8 | 25.0 ± 0.8 | 1.8 ± 0.4 | 45 | 95 |
| SRP31.0x5.0x8.0 | 31.0 ± 0.8 | 5.0 ± 0.4 | 27.0 ± 0.6 | 8.0 ± 0.4 | 0.5 +0.7 -0.1 | 21 | 60 |
| SRP31.0x5.0x9.0 | 31.0 ± 0.8 | 5.0 ± 0.4 | 27.0 ± 0.6 | 9.0 ± 0.4 | 0.5 +0.7 -0.1 | 25 | 75 |
| SRP31.0x5.0x12.0 | 31.0 ± 0.8 | 5.0 ± 0.4 | 27.0 ± 0.6 | 12.0 ± 0.5 | 0.5 +0.7 -0.1 | 30 | 85 |
| SRP31.0x5.0x22.0 | 31.0 ± 0.8 | 5.0 ± 0.4 | 27.0 ± 0.6 | 22.0 ± 0.6 | 0.5 +0.7 -0.1 | 46 | 130 |
| SRP33.5x3.5x15.0 | 33.5 ± 0.9 | 3.5 ± 0.3 | 27.0 ± 0.6 | 15.0 ± 0.6 | 1.4 ± 0.4 | 21 | 68 |
| SRP33.5x4.0x12.0 | 33.5 ± 0.9 | 4.0 +0 -0.2 | 27.0 ± 0.6 | 12.0 ± 0.5 | 1.4 ± 0.4 | 19 | 60 |
| SRP33.5x6.5x7.0 | 33.5 ± 0.9 | 6.5 ± 0.5 | 27.0 ± 0.6 | 7.0 ± 0.4 | 1.4 ± 0.4 | 20 | 57 |
| SRP33.5x6.5x8.0 | 33.5 ± 0.9 | 6.5 ± 0.5 | 27.0 ± 0.6 | 8.0 ± 0.4 | 1.4 ± 0.4 | 21 | 60 |
| SRP33.5x6.5x10.0 | 33.5 ± 0.9 | 6.5 ± 0.5 | 27.0 ± 0.6 | 10.0 ± 0.4 | 1.4 ± 0.4 | 24 | 65 |
| SRP33.5x6.5x15.0 | 33.5 ± 0.9 | 6.5 ± 0.5 | 27.0 ± 0.6 | 15.0 ± 0.6 | 1.4 ± 0.4 | 32 | 81 |
| SRP33.5x6.5x22.0 | 33.5 ± 0.9 | 6.5 ± 0.5 | 27.0 ± 0.6 | 22.0 ± 0.6 | 1.4 ± 0.4 | 43 | 95 |
| SRP38.1x12.0x25.4 | 38.1 ± 1.0 | 12.0 ± 0.6 | 26.7 ± 0.6 | 25.4 ± 0.8 | 1.9 ± 0.4 | 83 | 145 |
| SRP40.0x6.5x6.0 | 40.0 ± 1.0 | 6.5 ± 0.5 | 35.0 ± 0.7 | 6.0 ± 0.3 | 1.4 ± 0.4 | 16 | 50 |
| SRP40.0x6.5x12.0 | 40.0 ± 1.0 | 6.5 ± 0.5 | 35.0 ± 0.7 | 12.0 ± 0.5 | 1.4 ± 0.4 | 25 | 72 |
| SRP40.0x6.5x18.0 | 40.0 ± 1.0 | 6.5 ± 0.5 | 35.0 ± 0.7 | 18.0 ± 0.5 | 1.4 ± 0.4 | 32 | 84 |
| SRP40.0x6.5x20.0 | 40.0 ± 1.0 | 6.5 ± 0.5 | 35.0 ± 0.7 | 20.0 ± 0.6 | 1.4 ± 0.4 | 35 | 88 |
| SRP40.0x6.5x22.0 | 40.0 ± 1.0 | 6.5 ± 0.5 | 35.0 ± 0.7 | 22.0 ± 0.6 | 1.4 ± 0.4 | 37 | 95 |
| SRP45.1x12.5x10.0 | 45.1 ± 1.0 | 12.5 ± 0.6 | 34.5 ± 0.8 | 10.0 ± 0.4 | 1.5 ± 0.5 | 30 | 72 |
| SRP45.1x12.5x28.6 | 45.1 ± 1.0 | 12.5 ± 0.6 | 34.5 ± 0.8 | 28.6 ± 0.8 | 1.5 ± 0.5 | 80 | 165 |
| SRP45.2x6.5x12.0 | 45.2 ± 1.0 | 6.5 ± 0.5 | 40.0 ± 0.8 | 12.0 ± 0.5 | 1.4 ± 0.4 | 24 | 72 |
| SRP49.6x4.0x12.0 | 49.6 ± 1.0 | 4.0 ± 0.2 | 44.0 ± 0.8 | 12.0 ± 0.5 | 1.4 ± 0.4 | 19 | 63 |
| SRP49.6x6.5x12.0 | 49.6 ± 1.0 | 6.5 ± 0.5 | 44.0 ± 0.8 | 12.0 ± 0.5 | 1.4 ± 0.4 | 22 | 68 |
| SRP57.6x6.5x12.0 | 57.6 ± 1.2 | 6.5 ± 0.5 | 52.0 ± 1.0 | 12.0 ± 0.5 | 1.4 ± 0.4 | 22 | 70 |
| SRP60.6x6.5x12.0 | 60.6 ± 1.2 | 6.5 ± 0.5 | 55.0 ± 1.0 | 12.0 ± 0.5 | 1.4 ± 0.4 | 28 | 92 |